

SEETRONIC

Product Data Sheet

Product Type RJ45 Plug

Product Model SE8MC-B-1-NEW


Customer Name _____

Manufacturer	Prepared	Checked	Approved

Customer	Received	Checked	Confirmed



Product Data Sheet

Product Type	RJ45 Plug	
Product Model	SE8MC-B-1-NEW	
Product Features		
<ul style="list-style-type: none">➤ RJ45 cable carrier connector with black housing➤ Works with most RJ45 chassis connectors in the market➤ Cable connector carrier does not include RJ45 plug➤ Cable O.D. 5-7 mm➤ Sturdy die-cast shell and unique cable clamp➤ Sleek design protects Ethernet connections in most commercial type applications and components of standard RJ45 plugs		



Product Data Sheet

Product Parameters

Item	Specification
Connection Type	RJ45
Gender	Male

Mechanical Parameters

Item	Specification
Cable O.D.	5-7mm
Insertion force	≤ 20 N
Withdrawal force	≤ 20 N
Service life	> 1000 mating cycles
Locking device	Latch lock

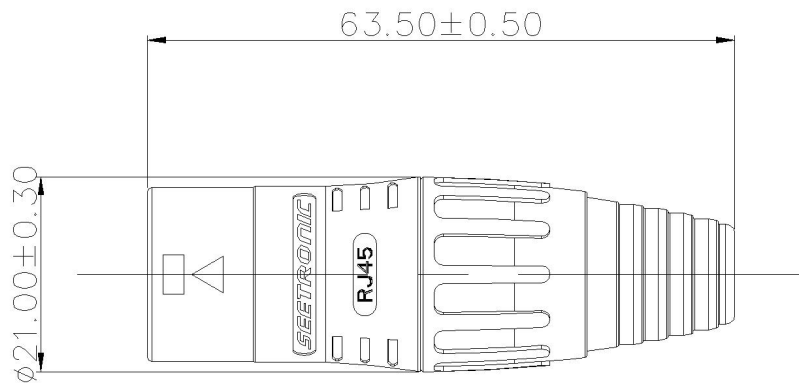
Material and Environmental Parameters

Item	Specification
Boot	PA
Housing	Zinc alloy
Housing plating	Black coating
Temperature range	-30°C ~ +80°C



Product Data Sheet

Product Drawing



Unit: mm

Packaging Method

1pc per bag (including 1pc each of housing, cable clip and boot)

80pcs per inner carton, 5 inner cartons per master carton (400 pcs per master carton)

Accessory

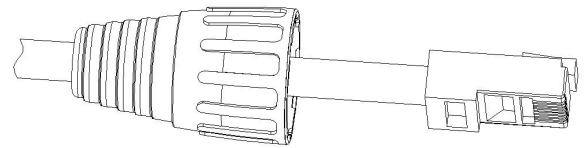
- | | |
|--|--|
| <input checked="" type="checkbox"/> No accessories | <input type="checkbox"/> Back fastener plate |
| <input type="checkbox"/> Screws and Nuts | <input type="checkbox"/> Other |



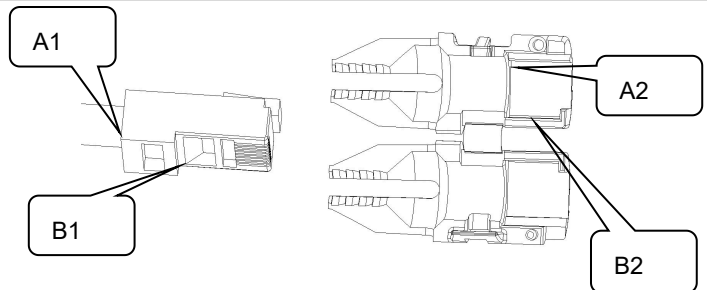
Product Data Sheet

Assembly Instructions

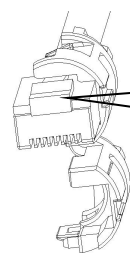
(1) Pass the cable through the boot and into the RJ45



(2) Put the crystal head into the wire clip and fasten the wire clip

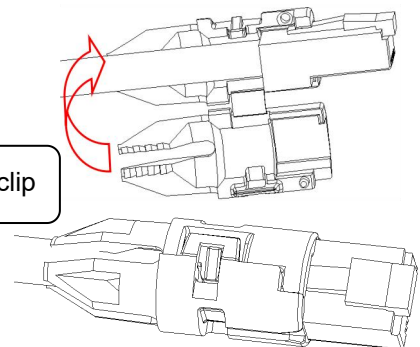


① The A1 and B1 sides of the RJ45 correspond to the A2 and B2 sides of the cable clip respectively.



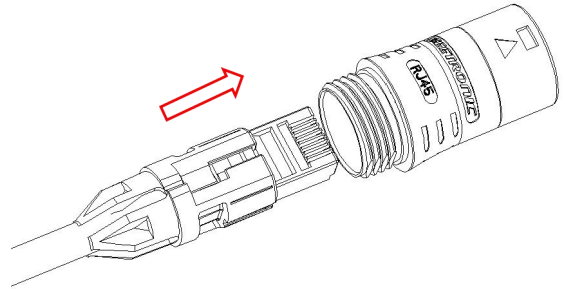
② RJ45 sheathing presses into cable clip block

③ Close cable clip



Product Data Sheet

(3) Push the assembled cable clip and RJ45 into the housing



(4) After assembly of the cable clip, RJ45 and housing, tighten the boot in a clockwise direction

